

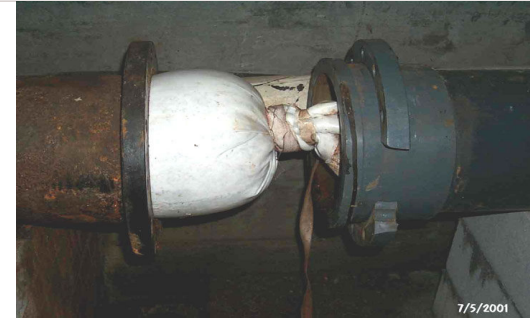
RELINING OF OLIMPIC SWIMMING POOLS OF THE CITY OF GALLARATE (ITALY)



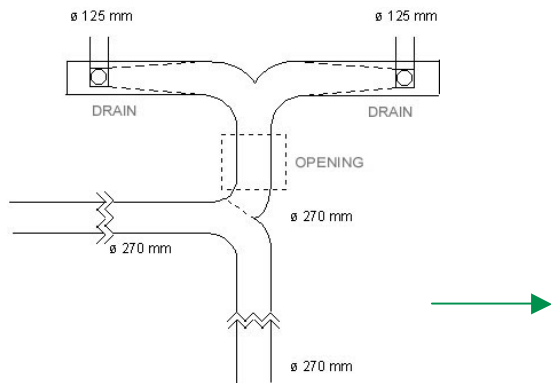
Diagnostic video inspection



40 meters relining



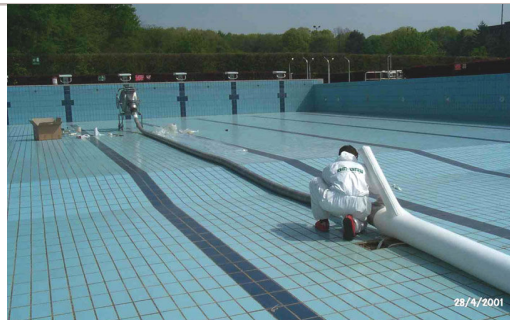
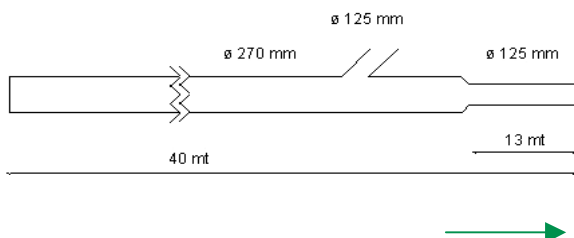
Reling phase



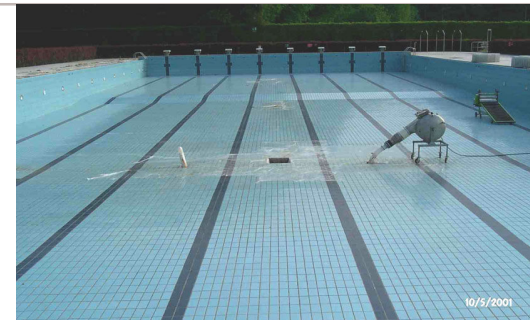
Special "T" liner with section change



Reling phase



Special "Y" liner with section change



Reling phase